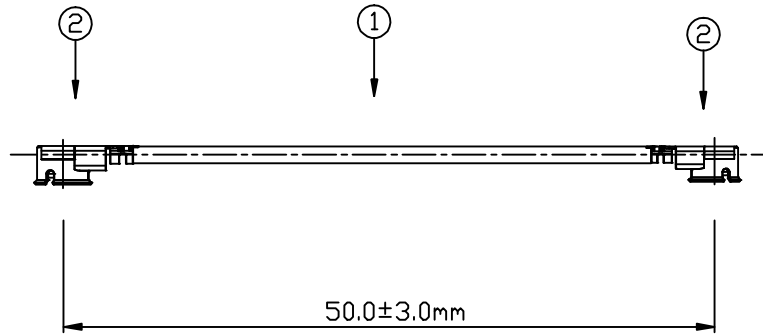


RoHS
COMPLIANT



NO.	DESCRIPTION	QTY	MATERIAL	P/N
2	CONNECTOR	1	IPEX III 0.81mm	SEE PART DWG
1	CABLE<BLACK>	1	0.81mm	SEE PART DWG

GENERAL TOLERANCES
 DIM: .X±0.25(0.01) .XX±0.12(0.005)
 ANGULAR: ±5°

MATERIAL : SEE TABLE
 FINISH : SEE TABLE

 連科電子股份有限公司
 Connectec Electronics Co., Ltd.

DIMENSION CLASSIFICATION
 ■ : CRITICAL ☒ : MAJOR



DRAWN BY: Leon CHK'D BY: Ivy
 APP'D BY: John SCALE : 3 : 1

TITLE: IPEX III / 0.81mm / IPEX III , L=50mm

DWG. NO: 1-4114-008R000

FILE. NO: 1-4114-008R000

REV
1

DO NOT SCALE DRAWING

LTR	REVISION RECORD	ECN	DR/CHK	DATE
-----	-----------------	-----	--------	------

REVISE ONLY ON CAD SYSTEM

SHEET 1 OF 1

UNIT : mm

8

7

6

5

4

3

2

1

E

D

C

B

E

D

C

B

A